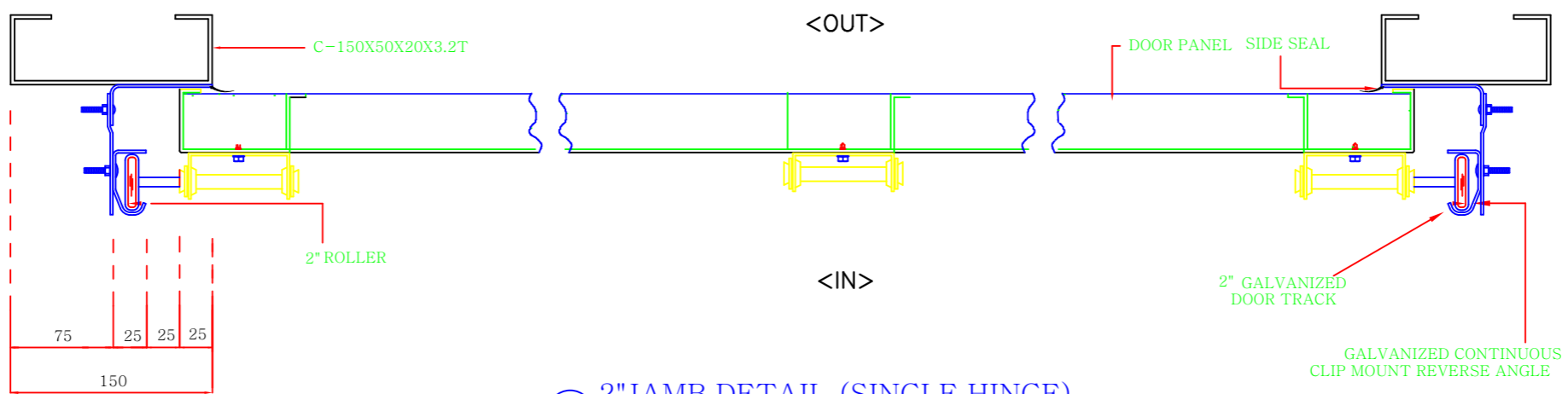


② 3" JAMB DETAIL (DOUBLE HINGE)

SCALE 1/30



① 2" JAMB DETAIL (SINGLE HINGE)

SCALE 1/30